

# Hydraulic Power Supplies

*Team* Corporation manufactures a variety of Hydraulic Power Supplies for use in vibration test systems and other high-precision servo systems.

The selection of the HPS is based largely on the selection of the servovalve. The HPS and servovalve are selected to provide the desired velocity.

In addition, *Team* HPS's are remotely controlled and monitored using the *Team* 1510 Hydraulic Pump Controller.



## Features:

- Built-in heat exchangers with water saving valves
- High and low flow modes for safe start-up
- Filtration to keep the oil in the ISO 15/13/10 condition required for servosystems
- Health monitoring sensors including oil temperature and level, pressure and filter condition.

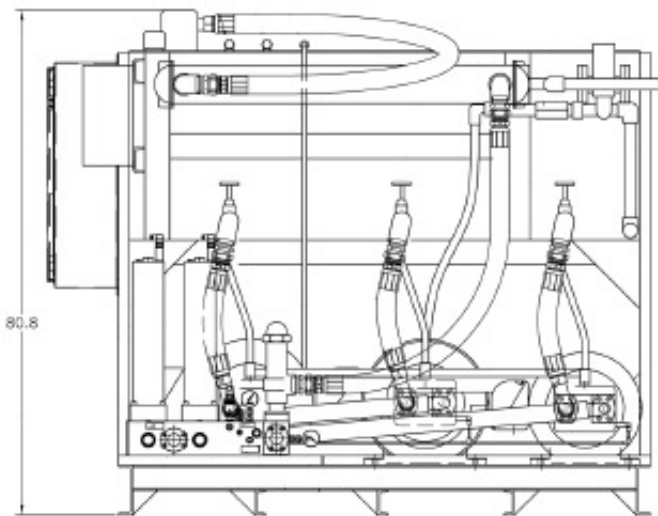
## Applications:

- Hydraulic power supplies for vibration test systems and other precision servo systems.

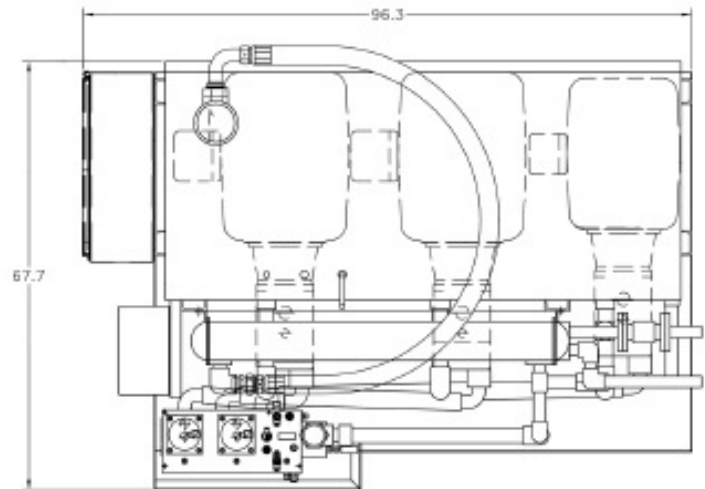
# Sample Specifications

HPS Model	Flow	Horsepower	Cooling Water	Length x Width x Height
HPS-25	7 gpm	15 hp	4 gpm @ 80°F	48 x 36 x 60 in.
HPS-65	15 gpm	40 hp	8 gpm @ 80°F	72 x 36 x 60 in.
HPS-110	30 gpm	60 hp	16 gpm @ 80°F	72 x 36 x 60 in.
HPS-190	50 gpm	100 hp	Call Team	84 x 42 x 60 in.
HPS-265	70 gpm	125 hp	38 gpm @ 80°F	110 x 72 x 80 in.
HPS-380	100 gpm	200 hp	55 gpm @ 80°F	110 x 72 x 80 in.
HPS-460	120 gpm	240 hp	Call Team	110 x 72 x 80 in.
HPS-535	140 gpm	280 hp	Call Team	110 x 72 x 80 in.
HPS-650	170 gpm	340 hp	Call Team	110 x 72 x 80 in.
HPS-800	210 gpm	420 hp	Call Team	110 x 72 x 80 in.

Example of a typical Team HPS ( HPS-3-380)



Elevation View



Plan View